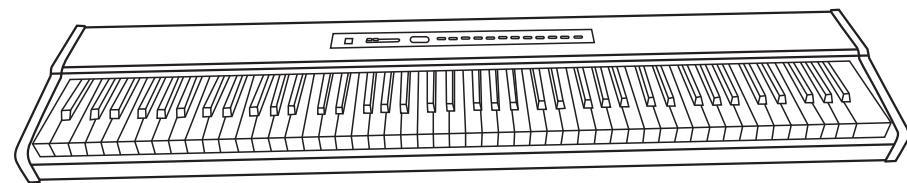


# Digital Piano

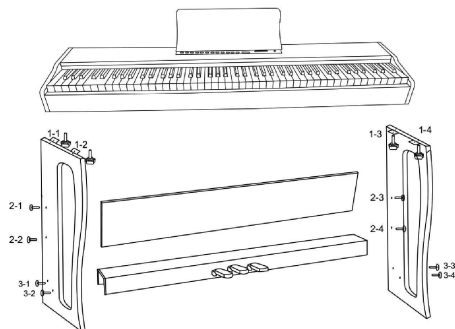
USER MANUAL



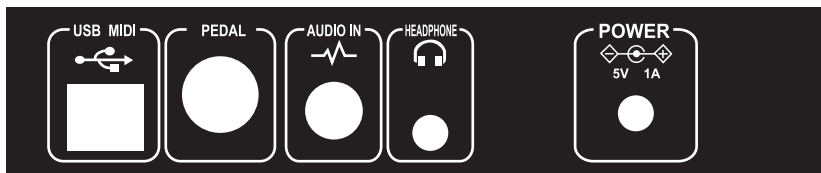
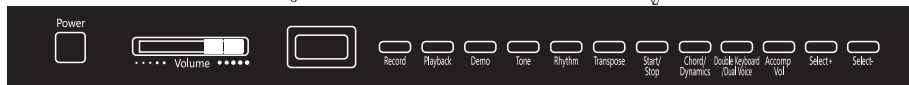
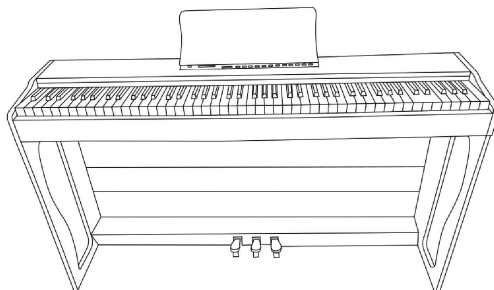
# Digital Piano User Manual

Thank you for buying our digital piano

Wonderful performance for customers to enjoy, GM Timbre, digital circuit and other functions. In order to make full use of various functions, please read and keep this manual carefully.



1-1 to 1-4 Round head knob screws M6X20  
 (4)2-1 to 2-4 screws M6X15 (4)  
 3-1 to 3-4 screws M6X60(4) pointed screws



# Digital Piano User Manual

Fault	Possible causes and Countermeasures
When the organ power is turned on or off, there is a murmur	This is a normal phenomenon, indicating that the current enters the time.
When using a mobile phone, there is noise.	The use of mobile phones near produces will produce the machine at this radiation. To avoid this, turn off the mobile phone or use it away from the organ.
There is no sound when playing the keyboard or playing music.	Verify that there are other devices connected to the PHONES/OUTPUT Jack. If headphones are plugged into the Jack at this time, no sound will be made.
The selected timbre is not pronounced properly, or the volume is too low.	Verify that the following settings are appropriate: main volume, double tone balance.
Abnormal sound of timbre or rhythm.	The AC voltage is on the low side.
Some timbre is distorted.	The volume knob is too large and should be open at a position less than 3/4.
The accompaniment is not pronounced properly.	Make sure the accompaniment volume is set to the appropriate level.
It seems that all timbre is pronounced, or the pronunciation seems to be cut off.	The maximum simultaneous pronunciation of this organ is 64 notes. If the dual tone mode is in use and the accompaniment or music is being played again, some notes/sounds in the accompaniment or music will be default.
Under the same tone color, the quality of notes is different from that of notes.	This is a normal phenomenon. The wooden machine adopts AVM sound source mode, which is segmented sampling and recording in the whole key field, so the sound quality of the two notes is slightly different.

# Digital Piano User Manual

## Smoke, odour, overheat

When the instrument smokes, stinks or overheats, there is a risk of fire and electric shock when the instrument continues to be used. In the event of the above, the following actions should be performed immediately.

1. switch it off.
2. Please unplug the alternating current transformer from the power outlet
3. Contact your dealer

## Alternating current transformer

Improper use of alternating current transformers may cause fire and electric shock. The following considerations must be observed.

The special AC transformer specified for this product must be used.

An AC power supply with an output voltage within the rated voltage range marked on the AC transformer must be used.

Power sockets and power extension lines should not be overloaded.

The power cord of AC transformer is improperly dealt with, resulting in damage or fracture, resulting in fire and electric shock risk. The following considerations must be observed.

- Do not place or heat heavy objects on the power cord.
- Do not try to modify or bend the power cord too much
- Do not twist or pull the power cord.

If the power cord or plug is damaged, replace the same type of power cord and plug.

Do not touch alternating current transformer with wet hand, otherwise there is a risk of electric shock.

Please use alternating current transformer where water will not be splashed. Water is in danger of causing fire and electric shock.

Do not place vases or any other containers containing water on AC transformers. Water is in danger of causing fire and electric shock

Alternating current transformer  
Improper use of alternating current transformers may cause fire and electric shock. The following considerations must be observed.

Do not place the power cord next to the furnace or near other heat sources.

Do not pull the power cord when unplugged from the power outlet. The plug body of AC transformer must be grasped.

The AC transformer must be plugged into the power outlet to the end.

In the event of thunderstorms or before traveling or leaving for a long time, the AC transformer should be unplugged from the power outlet on the wall.

The AC transformer should be removed from the wall at least once a year. Unplug the power outlet and clean the dust accumulated around the plug.

Don't burn this product  
Do not put this product in the fire. Otherwise, it will cause it to explode, and there is a risk of fire and injury.

## Water and foreign bodies

The entry of water, other liquids and (sheet metal, etc.) into this product is dangerous to cause fire and electric shock. In the event of the above, the following actions should be performed immediately.

1. switch it off.
2. If you are using an alternating current transformer to power it, unplug it from the power outlet on the wall.
3. Contact your dealer

## Disassembly and transformation

Do not disassemble or modify this product in any way. Otherwise, there is a risk of electric shock, scald or other personal injury. All internal inspection, adjustment and maintenance operations should be entrusted to your distributor.

# Digital Piano User Manual

## Function description:

Keyboard: 88 standard keys(including black key) . Range: A1 ~ C9.

Timbre: 128

RHYTHM: 128

DEMO: 20

Recording and playback function, transpose function, accompaniment volume adjustment function, double keyboard/double tone function, chord/dynamics function.

Hardware: 64 Chord, with 2-way 16-bit DAC output, built-in power amplifier circuit.

Audio input, headset output, three-digit LED display

Single Pedal (delay) , triple pedal (delay, mute, delay) Optional

Bluetooth Features: Audio Bluetooth and Midi Bluetooth

## Operations

### Play (Timbre) mode:

automatically enters play (Timbre) mode when the computer is switched on.

Press [ + ] , [-] can choose up and down to play Timbre.

Press and hold [ + ] , [-] key more than 1 second, you can choose up and down Timbre **0-127** continuously.

### Rhythm Mode:

Press the "start/stop" button/"Rhythm" button, the system enters rhythm mode and plays one of "rhythms" .

Press [ + ] , [-] can choose the "rhythm" from 0-127.

Press the "+/-" button more than 1 second, you can quickly select the rhythm and let go to play the corresponding rhythm.

In this mode, press the tone button, then press the +/- key to change the tone. To change the rhythm, need to press the rhythm key.

### Demo Mode:

Press [ Demo ] key, system will play all demos, press [ start/stop ] key to stop demo to play

Press [ + ] , [-] key to select demo, track from 0-19

Hold [ + ] , [-] key more than 1 second, you can quickly select the Demo, release your hand and start playing the corresponding demo.

In this mode, press the Tone key, and then press the +/- key to change the tone color. To change the Demo, need to press the Demo key

# Digital Piano User Manual

## Recording related functions:

Press the [ recording ] key, you can enter recording mode, digital LED display [ REC ] .

Recording function is to take multi-channel real-time recording mode to record the notes

After entering the recording mode, the user can play the keys at will, the system will automatically record the key notes played by the user, when the recording block of the system is full, the digital tube will display the [FUL] prompt the record full

Press the playback key to realize the recording playback function. However, this playback function is considered effective only when a note is recorded, at the end of playback, the original state will be automatically returned to the original state.

During playback process, you can choose to play back the tone color

After re-recording and system reset, the recording note will be refreshed automatically

## Chord/Dynamics mode system

During the playing rhythm, Short Press [ chord/dynamics ] key and release to enter Chord mode

Chord Function: A 1 ~ F # 4 interval to play the keys, will play with the rhythm of the Chord, and the pitch of the Chord changes with the pitch of the key

In chord mode, short press [ chord/dynamics ] key and release will close the chord

The long press on the [ chord/dynamics ] key and doesn't release to open or close the dynamics at any time, digital Tube display [ DYN ] or [ OFF ] , boot the default is open

## Double keyboard/double voice mode

Short press [ double keyboard/double voice ] key and loose to open or close the double keyboard mode, digital LED display [ SPL ] or [ OFF ]

The range of keys in dual keyboard mode will be divided into two ranges: A2-B5 and C4-C8.

Long Press [ dual keyboard/dual tone ] key and does not loose to open or close the dual voice mode, digital LED display [ DUA ] or [ OFF ]

In Dual Voice mode will play the current tone (foreground) + piano tone (background) combination.

In the Dual voice mode, press the Tone key, and then press the +/- key to switch the foreground

## Bluetooth Feature:

Bluetooth Search on Mobile Phone;Bluetooth Name: GZUT-MUSIC connection can play Mobile Phone Audio

When playing Bluetooth audio, press "start/stop" key to pause the song, and press again will keep playing the song

Press "+" or "-" to choose the previous song or next song

## USB/MIDI function:

Connect the computer or tablet via USB cable for multimedia interaction

Or download the bubble piano APP without plugging in the data cable. And choose Bluetooth connection to practice with the piano.

# Digital Piano User Manual

## Fall or impact

After falling or being damaged by a strong impact, this product will continue to be used in danger of causing fire and electric shock. In the event of the above, the following actions should be performed immediately.

1.switch it off.

2.If you are using an alternating current transformer to power it, unplug it from the power outlet on the wall.

3. Contact your dealer.

## Plastic bag

Do not allow anyone to wrap plastic bags for the packaging of this product on their heads or put them in the mouth, otherwise there is a risk of asphyxiation, and families with young children should pay special attention to them.

## Volume

Don't play music at loud volume for a long time.

Pay special attention to using headphones Too much volume will damage your hearing.

## Matters needing attention in health

Although it is extremely rare, some people suddenly encounter strong light or flash, can develop a temporary muscle disease, loss of consciousness or other physical disorders.

If you suspect that you may encounter the above or similar situation, be sure to consult your doctor before using this product.

Please use this product in a well-lit environment.

If you feel similar symptoms when using this product, you should immediately stop using this product and go to the hospital for examination.

## Correct assembly of bracket

Incorrect assembly of the bracket will make it overturn, resulting in the drop of this product, there is a risk of injury.

Therefore, the assembly must be carried out in accordance with the instructions in its accompanying instructions to ensure that the product is correctly installed on its bracket.Keep distance from this product and bracket



Climbing on the piano body or its bracket is at risk of overturning or damage, and families with young children should pay special attention to it.

## Place

Avoid placing this product on an uneven surface or in any other unstable place. Otherwise, this product will fall, there is a risk of injury.

## Movement of products

Before moving this product, you must unplug the AC transformer from the power outlet on the wall and unplug all other cables and connectors. Otherwise, there is a risk of damage to the line and fire and electric shock.

## Cleaning

Before cleaning this product, the AC transformer must be removed from the power outlet on the wall, otherwise there is a risk of damage to the AC transformer and fire and electric shock.

## Interface

In this product interface. Only the specified devices and devices can be connected to theConnecting unspecified equipment or devices is at risk of causing fire and electric shock.

## Position selection

Avoid placing this product in the following places. Otherwise, there is a risk of fire and electric shock.

A place where the temperature is high or dusty. Kitchen or other place with fumes.

A place that is exposed to direct sunlight, or any other place that will cause a high temperature in this product.

## Heavy object

Do not place heavy objects on this product. Otherwise, the top of the product will be overweight, causing the product to overturn or cause the object on it to fall, there is a risk of injury to the person





# Digital Piano User Manual

111、	11synthetrix
112、	12feel
113、	13Accelerate
114、	14Beachnight
115、	15Irish
116、	16Tarantella
117、	17bigband
118、	18dandut
119、	19fusion
120、	20horse2
121、	21keron
122、	22latin
123、	23mambo
124、	24newage
125、	25slowrc1
126、	26soul
127、	27twist
<b>DEMO:</b>	
0、	Little Star
1、	Humorous Music
2、	Mail coach
3、	Childhood Memories
4、	Childhood
5、	Prayers of a young girl
6、	Toccata
7、	MINUET
8、	To Elise
9、	Ode to Joy
10、	Greensleeves
11、	Turkish March
12、	Vanessa's smile
13、	Adriana by the water
14、	Autumn Whisper
15、	Grand Waltz
16、	Sorrow or joy
17、	Firefly Dance
18、	Snow Dream
19、	Ave Maria Bach

# Digital Piano User Manual

Other functions:

Press [ accompaniment volume ] to display the current accompaniment volume, then press [ + ] , [-] key to change the current accompaniment volume

In play mode, press [ transpose ] key, then press [ + ] , [-] key to change the vocal range of the current key

# Digital Piano User Manual

■ TONE	
<b>PIANO</b>	
0、	Piano 1
1、	Piano 2
2、	Piano 3
3、	Honky-Tonk Piano
4、	Rhodes Piano
5、	Chorused Piano
6、	Harpsichord
7、	Clavinet
<b>percussion instrument</b>	
8、	Celesta
9、	Glockenspiel
10、	Music Box
11、	Vibraphone
12、	Marimba
13、	Xylophone
14、	Tubular Bells
15、	Santur
<b>Organ</b>	
16、	Hammond Organ
17、	Percussive Organ
18、	Rock Organ
19、	Church Organ
20、	Reed Organ
21、	Accordion
22、	Harmonica
23、	Bandoneon
<b>Guitar</b>	
24、	Acoustic Guitar (nylon)
25、	Acoustic Guitar(steel)
26、	Electric Guitar (jazz)
27、	Electric Guitar (clean)
28、	Electric Guitar (muted)
29、	Overdriven Guitar
30、	Distortion Guitar
31、	Guitar Harmonics

# Digital Piano User Manual

67、	4countryshuffle
68、	5Quickshuffle
69、	6Reggaeshuffle
70、	1R&B
71、	1Reggae
72、	2Reggae
73、	3reggae
74、	1Salsa
75、	2salsa
76、	3salsa
77、	1tecno
78、	2tecno
79、	1funky
80、	2funky
81、	1dixie
82、	2dixie
83、	1foxtrot
84、	2foxtrot
85、	1R.roll
86、	2R.roll
87、	1fastbeat
88、	2Quickbeat
89、	3smoothbeat
90、	4Squarebeat
91、	5eurobeat
92、	1Alphadance
93、	2Betadance
94、	3dreamdance
95、	4dance1
96、	5dance2
97、	6dance3
98、	rap
99、	1thevillage
100、	2countryshuffle
101、	1electrickeys
102、	2darkkeys
103、	3Easywalk
104、	4Destiny
105、	5Comedy
106、	6drive
107、	7Liquidnova
108、	8KIndustrialfolk
109、	9slowpure
110、	10simpleJam

# Digital Piano User Manual

23、	2slow
24、	1discocha
25、	2guaracha
26、	3charl
27、	1samba
28、	2samba
29、	1ubminimal
30、	18bit
31、	28bit
32、	116bit1
33、	216bit2
34、	3Ballad16T
35、	4country16T
36、	1Tango
37、	2tango
38、	1Polka
39、	2polka
40、	1popswing
41、	2Easyswing
42、	3softswing
43、	1rock
44、	2rock
45、	3rock
46、	4Airyrock
47、	5heartrock
48、	6rock&roll
49、	7urban
50、	1ballad
51、	2jazzballad
52、	3C.ballad
53、	4J.ballad
54、	560Slowballad
55、	6pianoBallad
56、	750sballad
57、	Snakebase
58、	1Happyblues
59、	2Oldblues
60、	3bluegras
61、	1boodie
62、	2boodie
63、	3boodie
64、	1shuffle
65、	2shuffle
66、	3Dreamshuffle

# Digital Piano User Manual

<b>Bass</b>	
32、	Acoustic Bass
33、	Electric Bass(finger)
34、	Electric Bass(pick)?
35、	Fretless Bass
36、	Slap Bass 1
37、	Slap Bass 2
38、	Synth Bass 1
39、	Synth Bass 2
<b>String Solo</b>	
40、	Violin
41、	Viola
42、	Cello
43、	Contrabass
44、	Tremolo Strings
45、	Pizzicato Strings
46、	Orchestral Harp
47、	Timpani
<b>Choral Ensemble</b>	
48、	String Ensemble 1
49、	String Ensemble 2
50、	SynthStrings 1
51、	SynthStrings 2
52、	Choir Aahs
53、	Voice Oohs
54、	Synth Voice
55、	Orchestra Hit
<b>brass instrument</b>	
56、	Trumpet
57、	Trombone
58、	Tuba
59、	Muted Trumpet
60、	French Horn
61、	Brass Section
62、	Synth Brass 1
63、	Synth Brass 2
<b>Reed Instrument</b>	
64、	Soprano Sax
65、	Alto Sax
66、	Tenor Sax
67、	Baritone Sax
68、	Oboe
69、	English Horn
70、	Bassoon

# Digital Piano User Manual

71、	Clarinet
<b>wind instrument</b>	
72、	Piccolo
73、	Flute
74、	Recorder
75、	Pan Flute
76、	Bottle Blow
77、	Skakuhachi
78、	Whistle
79、	Ocarina
<b>Composite Tonic</b>	
80、	Lead 1 (square)
81、	Lead 2 (sawtooth)
82、	Lead 3 (calliope lead)
83、	Lead 4 (chiff lead)
84、	Lead 5 (charang)
85、	Lead 6 (voice)
86、	Lead 7 (fifths)
87、	Lead 8 (bass+lead)
<b>Synthetic soft tone</b>	
88、	Pad 1 (new?age)
89、	Pad 2 (warm)
90、	Pad 3 (polysynth)
91、	Pad 4 (choir)
92、	Pad 5 (bowed)
93、	Pad 6 (metallic)
94、	Pad 7 (halo)
95、	Pad 8 (sweep)
<b>Synthetic special effect</b>	
96、	FX 1 (rain)
97、	FX 2 (soundtrack)
98、	FX 3 (crystal)
99、	FX 4 (atmosphere)
100、	FX 5 (brightness)
101、	FX 6 (goblins)
102、	FX 7 (echoes)
103、	FX 8 (sci-fi)
<b>national instruments</b>	
104、	Sitar
105、	Banjo
106、	Shamisen
107、	Koto
108、	alimba
109、	Bagpipe

# Digital Piano User Manual

110、	Fiddle
111、	Shanai
<b>Percussion music</b>	
112、	Tinkle Bell
113、	Agogo
114、	Steel Drums
115、	Woodblock
116、	Taiko Drum
117、	Melodic Tom
118、	Synth Drum
119、	Reverse Cymbal
<b>Sound effects</b>	
120、	Guitar Fret Noise
121、	Breath Noise
122、	Seashore
123、	Bird Tweet
124、	Telephone Ring
125、	Helicopter
126、	Applause
127、	Gun shot
<b>■ Rhythm</b>	
0、	1beguineswing
1、	2beguin
2、	3beguine
3、	1pophit
4、	2pop
5、	3popmalay
6、	bossanova
7、	1disco
8、	2disco
9、	3Bluegrassdisco
10、	1waltzl
11、	2waltzl
12、	3Trueballadwaltz
13、	4bossawaltz
14、	5Easywaltz
15、	6shufflewaltz
16、	7Reggaewaltz
17、	8Rhumbawaltz
18、	1march
19、	2march
20、	1rhumba
21、	2rhumba
22、	1slow